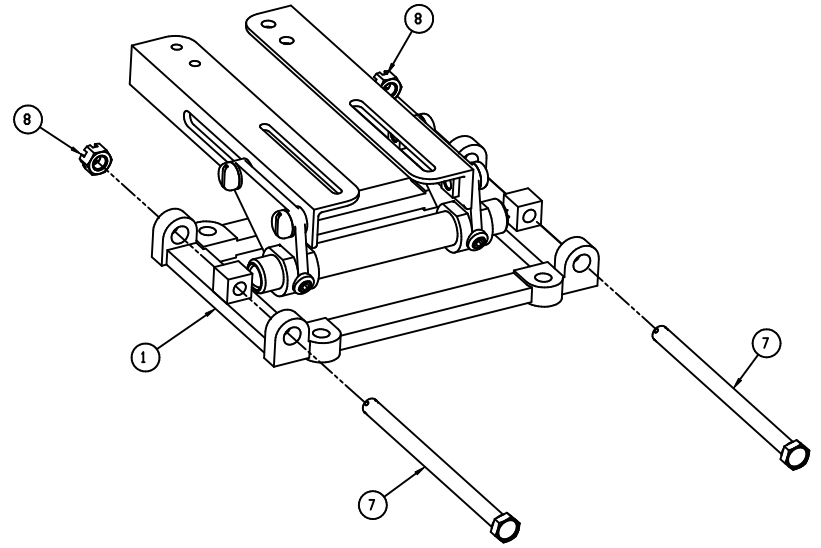
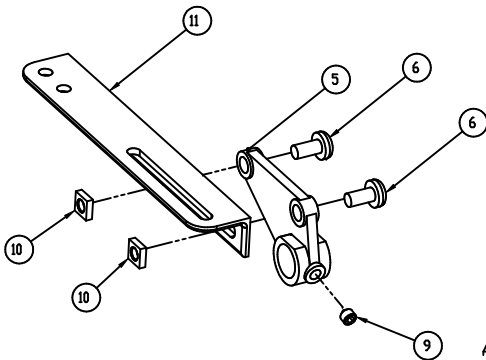


LEFT BRACKET ASSEMBLY

ASSEMBLE THE LEFT BRACKET (3) TO THE SUPPORT (5) USING M10 ROUND HEAD SCREWS (6) AND M10 SQUARE NUTS (10) AS SHOWN. INSTALL SET SCREW (9) AS SHOWN

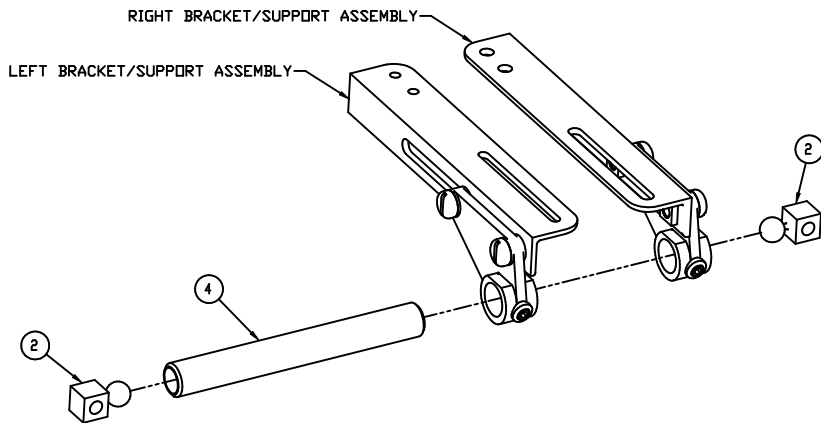
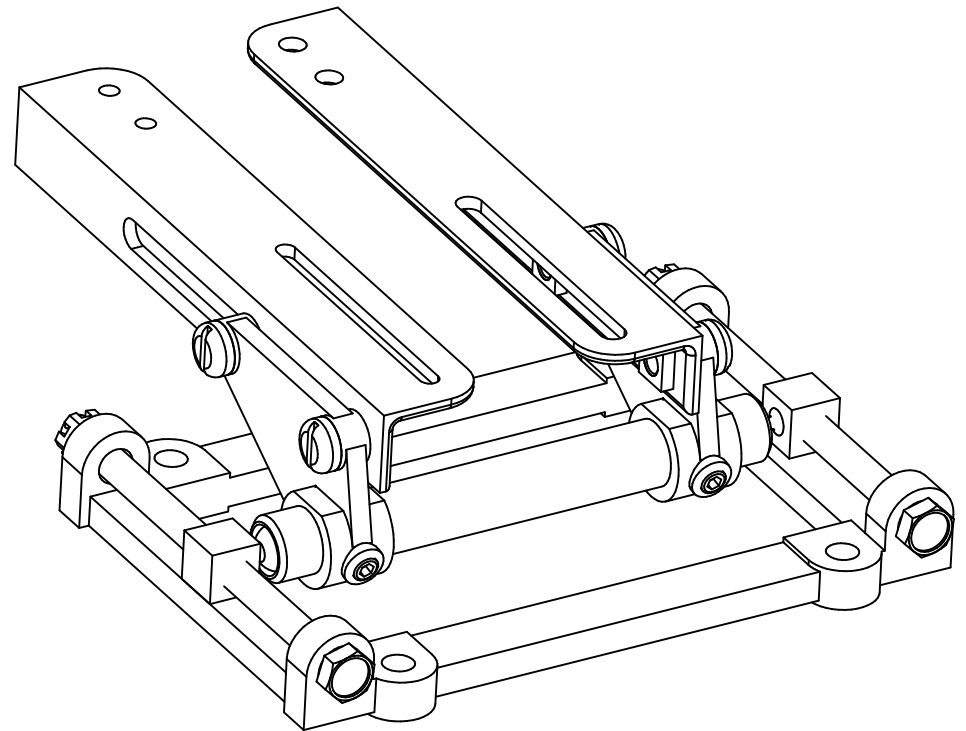


INSTALL SUPPORT ASSEMBLY TO BASE (1) USING 2X M12 SCREW (7) AND 2X SLOTTED HEX NUT (8)



RIGHT BRACKET ASSEMBLY

ASSEMBLE THE RIGHT BRACKET (11) TO THE SUPPORT (5) USING M10 ROUND HEAD SCREWS (6) AND M10 SQUARE NUTS (10) AS SHOWN. INSTALL SET SCREW (9) AS SHOWN



SUPPORT ASSEMBLY

INSTALL SHAFT (4) THRU LEFT & RIGHT BRACKET ASSEMBLYS AS SHOWN. INSTALL ONE KNUCKLE (2) TO EACH END OF SHAFT (4)